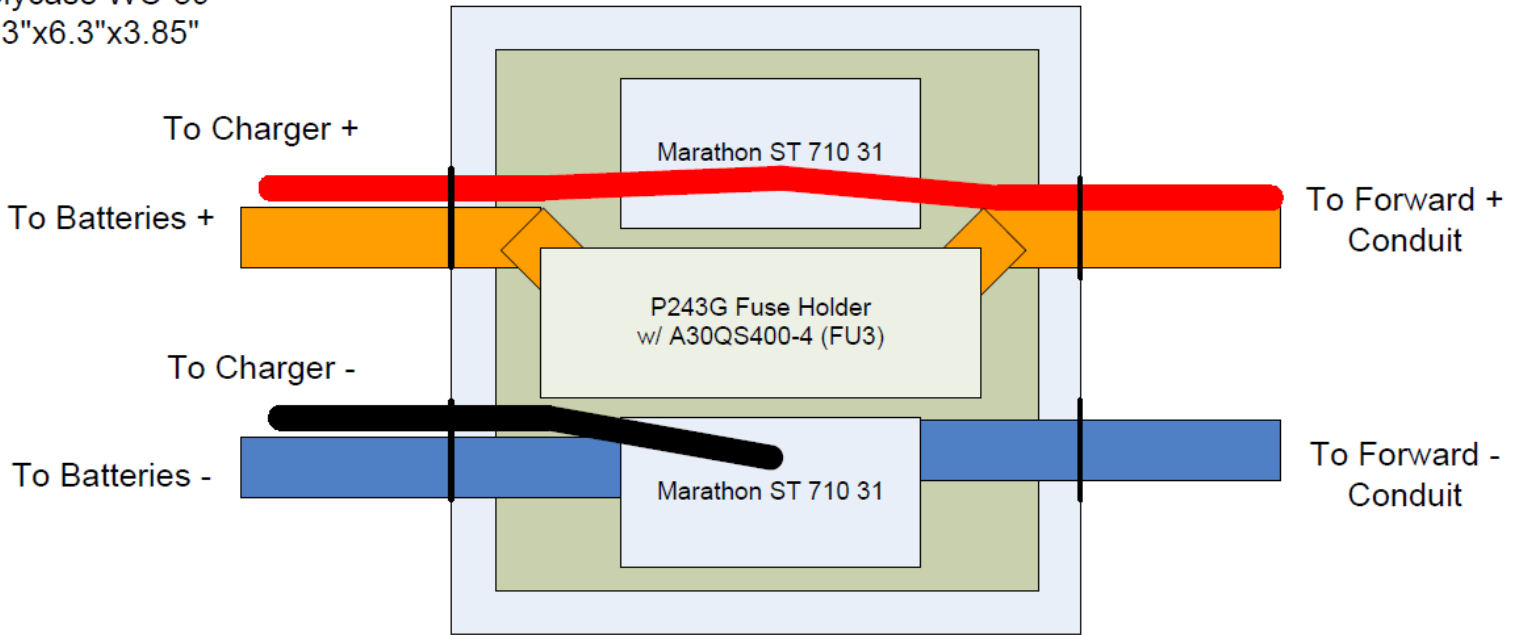


Rear Conduit Junction

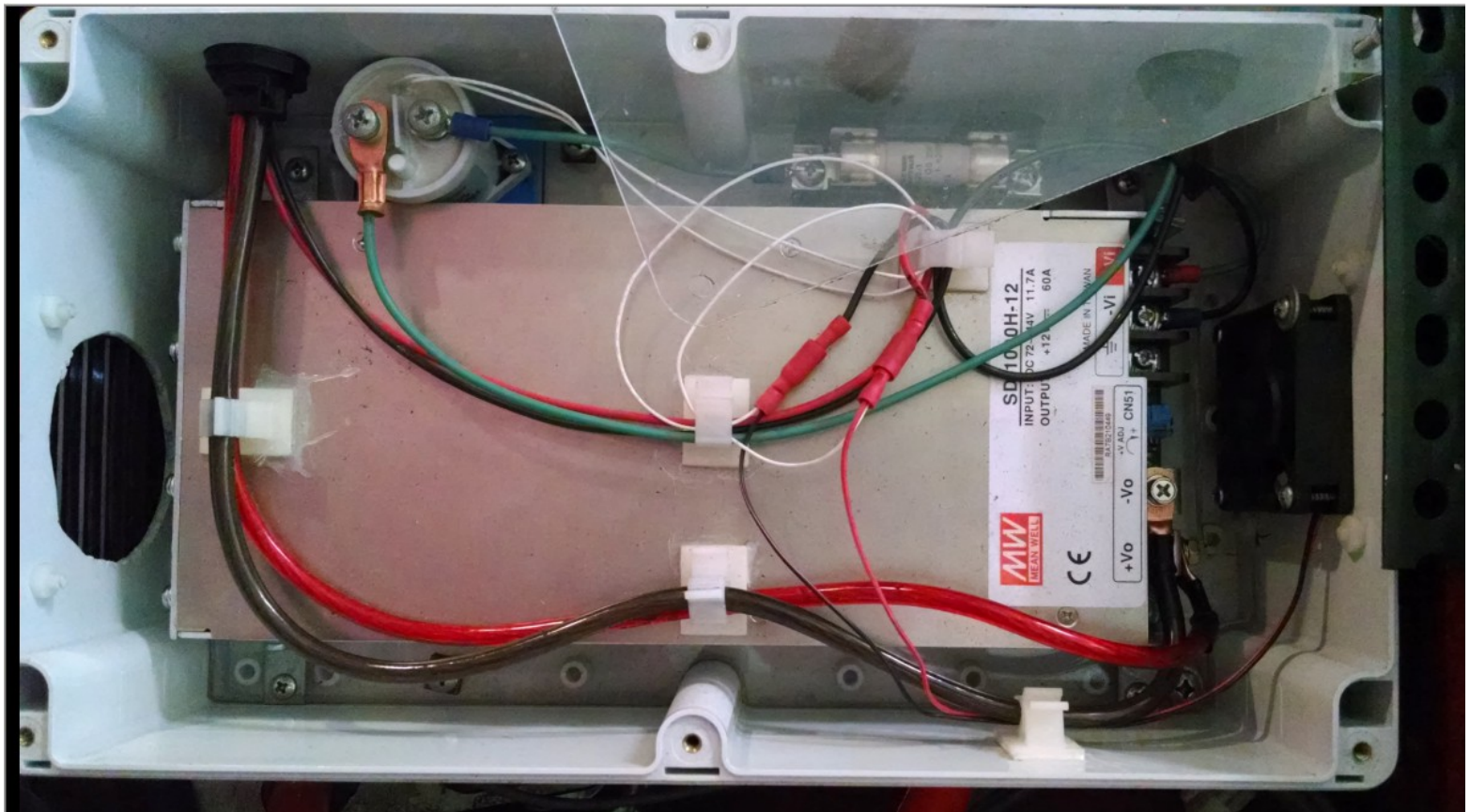
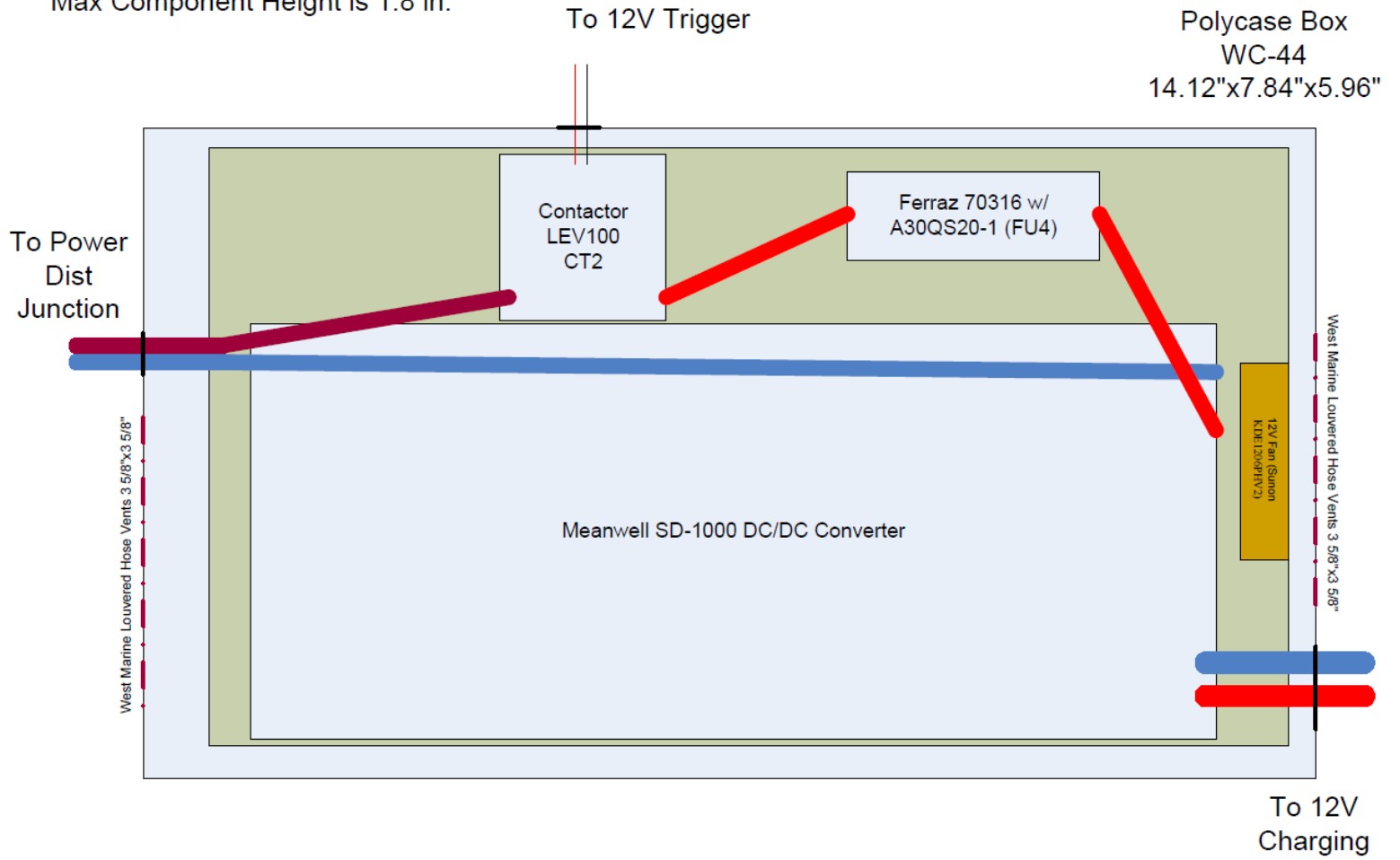
Max Component Height is 2.79 in.

Polycase WC-39
6.3"x6.3"x3.85"



DC/DC Junction

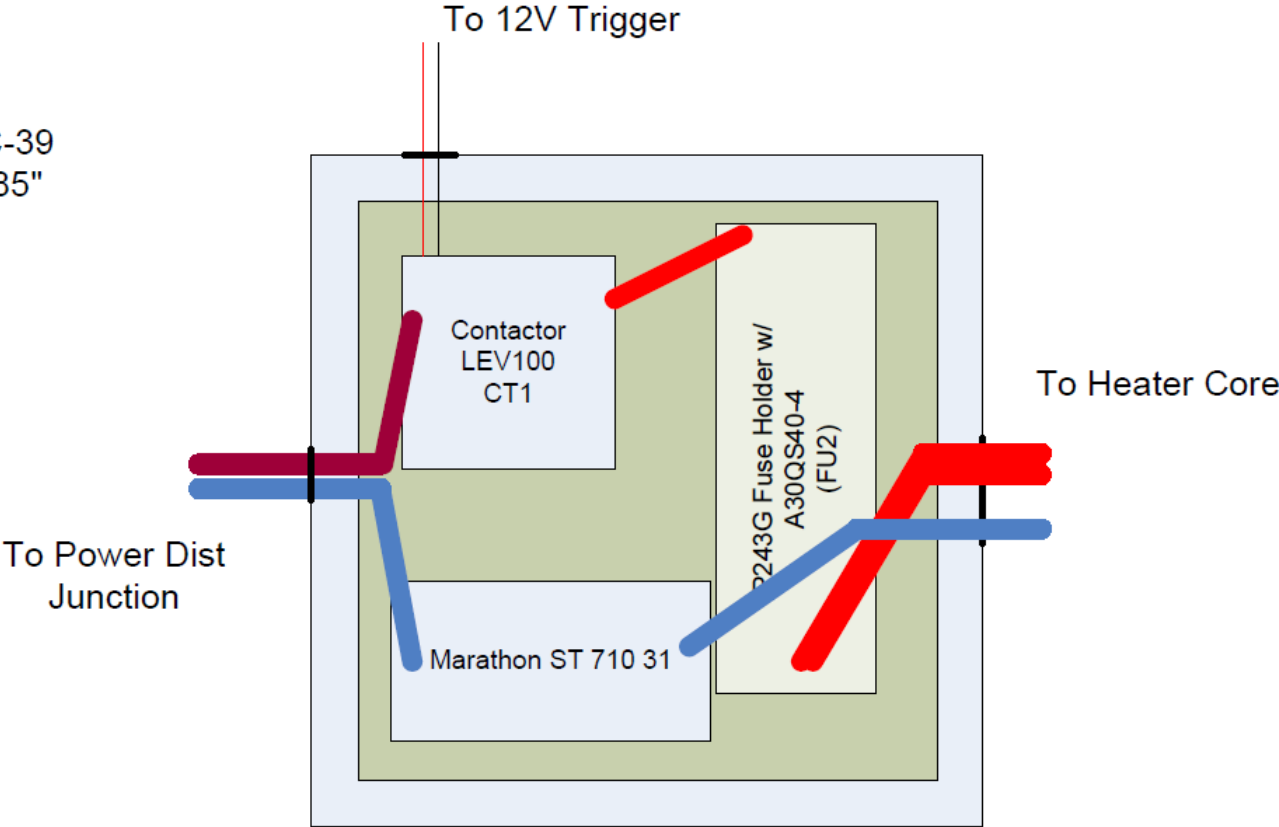
Max Component Height is 1.8 in.



Heater Junction

Max Component Height is 2.79 in.

Polycase WC-39
6.3"x6.3"x3.85"



Power Distribution Junction (Largest Change During Actual Layout)

Max Component Height is 3.7 in.

